



# CompAir

**van Elewout  
Kompressoren**

Dobbeweg 3B  
2254 AG Voorschoten

www.elewout.nl  
+31(0)71-561 84 68

02

EN

EU Version

## One step ahead Portable Screw Compressors



**GERMAN**   
**ENGINEERING**  
DESIGN & MANUFACTURE



Reliable mobile compressed air solutions

C10-12 - C270TS-9



# Designed To Last

## CompAir Portable Compressors

### Designed for the most demanding conditions.

High-precision construction projects demand that the efficiency and reliability of compressors is of the highest calibre. CompAir offers a wide range of portable compressors, with a reputation within the industry for just that – compressors that meet the requirements of numerous mobile compressed air applications.

The C-Series from CompAir is constantly evolving and guarantees high energy efficiency, low emissions and many other innovations, which make daily operations and maintenance tasks much easier.

## Engineering Excellence

Changing emission legislation is a key driver for development, but CompAir's passionate engineering team also strive to achieve the best possible performance at the lowest operational costs. The C-Series of portable compressors fulfills the emission standards in accordance with the directive 97/68/EC. Additionally, the compressors are very compact and lightweight which is a preference for many customers.

The screw compression element is the most important component of the compressor. Therefore CompAir keeps the design and manufacture in-house, using the latest CNC rotor grinding machinery, coupled with online laser technology. The resulting reliability and performance ensures that operating costs will remain low throughout the life of the compressor.



**GERMAN**  
**ENGINEERING**  
**DESIGN&MANUFACTURE**

## AirPlus

### Tailored compressor solutions to fit your application.

CompAir offers numerous options and accessories allowing customers to configure the compressor according to the specific requirements of the application. Besides various components for air treatment, integrated generators, bundled bottom boxes, toolboxes, hose reels and integrated oilers, etc. can all be factory fitted.

## Performance Protection for Portable Compressors

When you buy a CompAir C-Series portable compressor, peace of mind comes as standard now. The first of a kind Mobile 5 Warranty offers genuine performance protection for up to 5 years. The main compressor elements and controls<sup>1</sup> are covered at zero additional cost.

Having your compressor serviced by authorised personnel in accordance with CompAir's maintenance schedules, ensures you enjoy comprehensive protection for up to 5 years (up to a maximum of 10,000 operating hours).

Mobile 5 from CompAir – keeping your workforce working.



<sup>1</sup> Terms, conditions & exclusions apply.

## CompAir Genuine Parts

### Enjoy complete peace of mind.

Genuine CompAir parts and lubricants ensure best performance and reliability is maintained.

- Minimum losses contributing to energy savings
- Long service life, even under harsh conditions
- High reliability



## C10-12 to C14

1.0 to 1.4 m<sup>3</sup>/min  
Product range  
DLT 0101



C10-12 to C14 is a powerful alternative to electrical tools. Small, compact and lightweight, at only 155kg weight with 1.0 to 1.4 m<sup>3</sup>/min at 7 to 12 bar. Perfect for a wide-range of repair and installation jobs.

**Electric Start as Standard**  
Easy to start and flexible operation.  
**Honda GX 630V**  
Air cooled petrol engine.

## Technical Data - C10-12 to C14

Product Range	DLT 0101			
Type	C10-12	C12-10	C14	
<b>Operational data</b>				
Volume flow <sup>1)</sup>	m <sup>3</sup> /min	1.0	1.2	1.4
	cfm	35	42	49
Operating pressure	bar	12	10	7
	psi	174	145	101.5
<b>Engine</b>	Honda GX 630			
Installed engine power	kW	15.5	15.5	15.5
RPM-range	rpm	2200 - 2900	2200 - 2900	2200 - 2900
<b>Operating weight<sup>2)</sup></b>				
Portable compressor	kg	155	155	155
<b>Filling capacities</b>				
Engine oil	l	1.9	1.9	1.9
Fuel tank	l	20	20	20
Compressor oil	l	4.0	4.0	4.0
<b>Dimensions and connections</b>				
Length	mm	890	890	890
Width	mm	635	635	635
Height	mm	670	670	670
Compressed air outlets		1 x 3/4"		
<b>Sound level</b>				
Sound power level	SWL	93	93	93

<sup>1)</sup> Acc. to ISO 1217 Ed. 4 2009 Annex D <sup>2)</sup> Operating weight without options



## C20 to C30

2.0 to 3.0 m<sup>3</sup>/min  
Product range  
DLT 0207



The **NEW Stage V** range of Yanmar Engines delivers the power for all models within the **DLT0207** family of Compressors.

The mechanically regulated Engines offer optimal performance without the need for a Diesel Particulate Filter (DPF), whilst still capable to meet and exceed the current EU Legislation for off-highway Diesel Engines. Improved combustion chamber and fuel injection design results in a high quality product which is trusted the world over in many Construction applications.

The reduced radiant noise from the Engine offers overall lower noise level performance. The inclusion of the Oil Thermostatic valve as standard further improves the reliability and peace of mind in all operational conditions.

### Engine Speed Monitoring

The Engine will shut-down if speed is too low offering clutch protection as standard.

### Bolted Single Sheets

The steel canopy is galvanised and electrostatically coated, offering excellent protection against damage and corrosion. With bolted single sheets, exchange is both quick and easy.

### Fully-banded bottom box

As standard, which retains 100% of all fluids in case of emergency leakage.

### Yanmar 3TNV76-UDCP and 3TNV76-MCP Engines

Stage V reliability and quality as standard - both models delivering performance at less than 19kW.

### Robust Control Panel protection

Protects the electronic control panel and instrumentation.

### Transparent Plastic Fuel Tank

Extremely robust, the plastic fuel tank allows direct visual level indication and contamination checks to be carried out in seconds.

### Progressive Volume Flow Regulation

Engine speed and air intake regulation are automatically adapted to compressed air requirement.

### Air End with Spin-on Oil Filter Cartridge

For quick and easy maintenance, also improves Air Filter performance capacity and reduced pressure drop.

### Internal Main Switch Board

To avoid unauthorised operation.

### Central Lifting Eye

For easy handling by crane.

### Operational Reliability

Designed for -10 to +45°C ambient temperature.

### Oil Temperature Regulation Valve

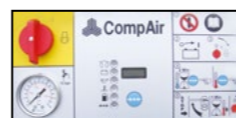
Ensures safe operation of compressor at low ambient temperatures or extreme partial load as standard.



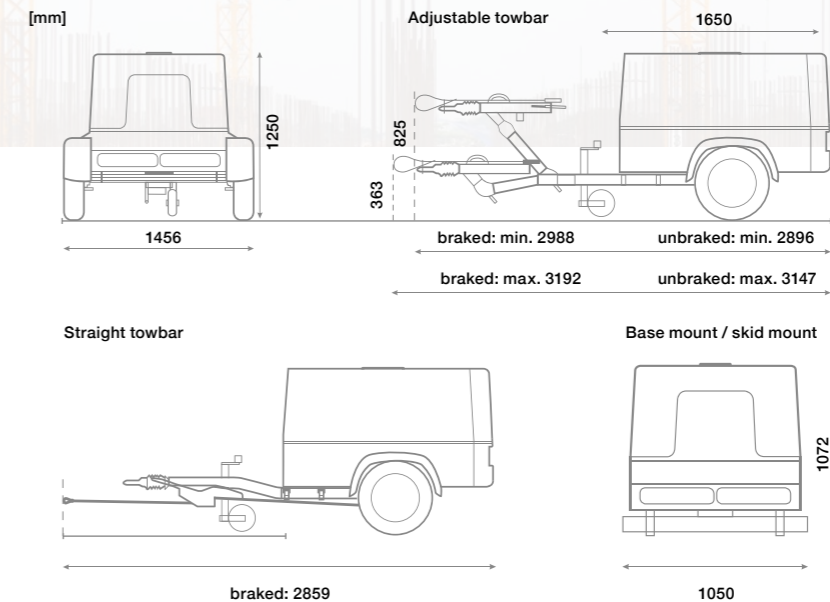
### Portable-Control 2

- **Fully protected digital display**  
With tamper proof hour counter
- **Indication lamps**
  - Preheat
  - Operation
  - Automatic emergency stop after malfunction
- **Start by rotary switch**  
To avoid loss of time caused by lost ignition key

- **Automatic protection in case of malfunction:**
  - Compressor temperature too high
  - Engine oil pressure too low
  - Engine temperature too high
  - Battery voltage too low
  - Rotational speed too low
  - Cooling water too low
  - Fuel level too low



## Technical Data - C20 to C30



Product Range	DLT 0207					
Type	C20	C20-12	C25	C25-10	C30	
<b>Operational data</b>						
Volume flow <sup>1)</sup>	m <sup>3</sup> /min	2.0 <sup>2)</sup>	2.0 <sup>2)</sup>	2.5 <sup>2)</sup>	2.5 <sup>2)</sup>	3.0 <sup>2)</sup>
	cfm	70.6	70.6	88	88	105.9
Operating pressure	bar	7	12	7	10	6
	psi	101.5	174	101.5	145	87.0
<b>Engine</b>		Yanmar 3TNV76-MCP		Yanmar 3TNV76-UDCP		
Installed engine power	kW	16.5	18.9	18.9	18.9	18.9
RPM-range	rpm	1800 - 2600	1800 - 3000	1800 - 3000	1800 - 3000	1800 - 3000
<b>Operating weight <sup>3)</sup></b>						
<b>Portable compressor</b>						
	adjustable towbar braked kg	636	636	636	636	636
	adjustable towbar unbraked kg	600	600	600	600	600
	straight towbar braked kg	609	609	609	609	609
	straight towbar unbraked kg	580	580	580	580	580
Permissible gross weight	kg	750	750	750	750	750
<b>Filling capacities</b>						
Engine oil	l	3.5	3.5	3.5	3.5	3.5
Diesel tank	l	32	32	32	32	32
Compressor oil	l	7.7	7.7	7.7	7.7	7.7
<b>Dimensions and connections</b>						
Length	adjustable towbar braked mm	2988 - 3192	2988 - 3192	2988 - 3192	2988 - 3192	2988 - 3192
	straight towbar braked mm	2859	2859	2859	2859	2859
Width	mm	1456	1456	1456	1456	1456
Height	mm	1250	1250	1250	1250	1250
Compressed air outlets		2 x 3/4"				
<b>Sound level</b>						
Sound pressure level <sup>4)</sup>	dB(A) LPA	69	69	69	69	69

<sup>1)</sup> Acc. to ISO 1217 Ed. 4 2009 Annex D <sup>2)</sup> Optional with 7kVA or 9kVA generator <sup>3)</sup> Operating weight without options <sup>4)</sup> Noise level acc. to PNEUROP PN8NTC2.2 at 7 m

## C35-10 to C50

3.5 to 5.0 m<sup>3</sup>/min  
Product range  
DLT 0409



The highly successful CompAir range C35-10 to C50 is driven by exceptionally quiet-running, water-cooled Yanmar 4-cylinder diesel engines. The compressor is particularly suitable for applications in cities and built-up areas, where stringent restrictions are set on noise emissions. The light construction of under 750 kg (C38 and C42 unbraked) makes the compressor suitable for many different applications and is therefore ideal for use by hire companies. These compact and lightweight compressors are available with various chassis and also with the option of integrated generator or aftercooler or both.

### Soft Start

Extends the engine lifetime by reducing engine stress during start-up and allowing the engine to reach running temperature with the compressor unloaded.

### Bolted Single Sheets

The steel canopy is galvanised and electrostatically coated, offering excellent protection against damage and corrosion. With bolted single sheets, exchange is both quick and easy.

### Easy Access Hinged Hood

With two robust gas struts, the hood is light and easy to open, offering excellent accessibility for easy maintenance.

### Yanmar 4TNV88C-DCP Engine

Common Rail system with Diesel Particulate Filter (DPF) fitted as standard to meet EU Stage V emission compliance.

### Robust Control Panel protection

Protects the electronic control panel and instrumentation.

### Improved Fuel consumption

Between 6% and 9% diesel fuel saving over previous models.

### Fuel Filter

Fuel contamination is controlled by a high quality filter which includes water separation. In addition to this, every compressor has an electronic fuel pump, alarm and fuel cooler.

### Air Filters

Separate air filters for engine and air compressor.

### Progressive Volume Flow Regulation

Engine speed and air intake regulation are automatically adapted to compressed air requirement.

### Air End with Spin-on Oil Filter Cartridge

For quick and easy maintenance.

### Internal Main Switch Board

To avoid unauthorised operation.

### Central Lifting Eye

For easy handling by crane.

### Transparent Plastic Fuel Tank

Allows direct visual level indication and quick contamination checks.

### Operational Reliability

Designed for -10 to +45°C ambient temperature.

### Oil Temperature Regulation Valve

Ensures safe operation of compressor at low ambient temperatures or extreme partial load as standard.

### Optional Filtration

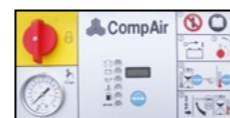
According to ZTV-ING part 3 section 4.



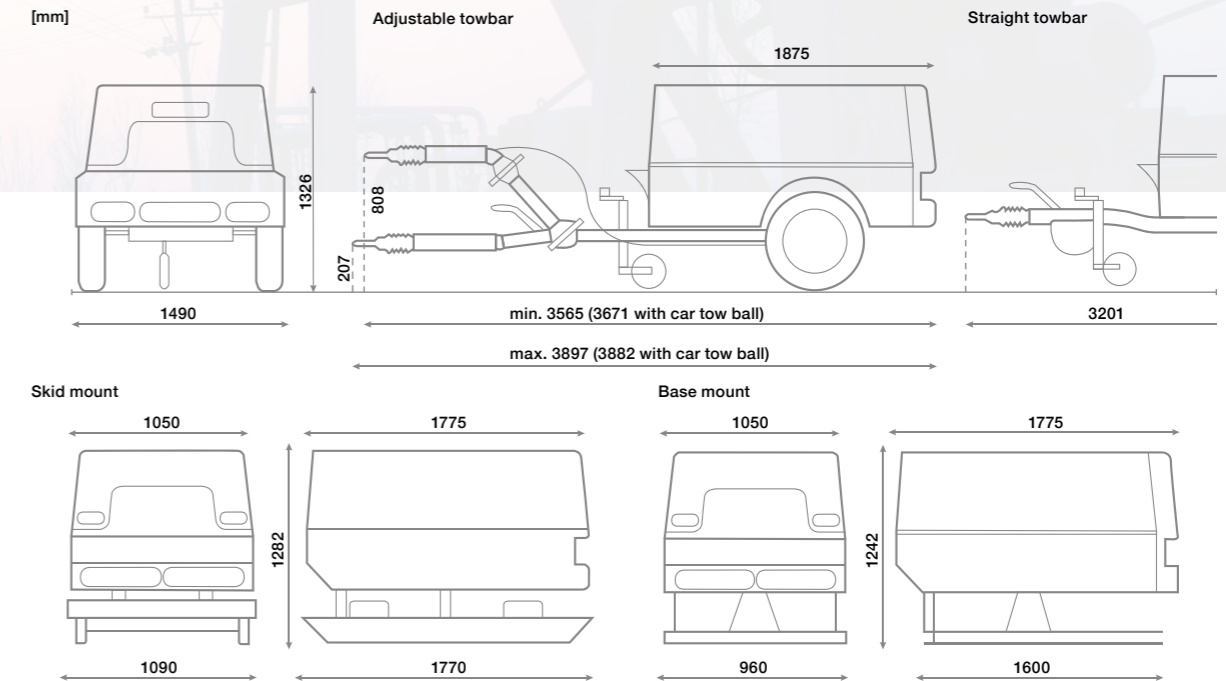
### Portable-Control 2

- **Fully protected digital display**  
With tamper proof hour counter
- **Indication lamps**
  - Preheat
  - Operation
  - Automatic emergency stop after malfunction
- **Start by rotary switch**  
To avoid loss of time caused by lost ignition key

- **Automatic protection in case of malfunction:**
  - Compressor temperature too high
  - Engine oil pressure too low
  - Engine temperature too high
  - Battery voltage too low
  - Rotational speed too low
  - Cooling water too low
  - Fuel level too low



## Technical Data - C35-10 to C50



Product range		DLT 0409			
Type		C35-10	C38	C42	C50
<b>Operational data</b>					
Volume flow <sup>1)</sup>	m <sup>3</sup> /min	3.5	3.8	4.2	5.0
(Optional 9 or 15 kVA Generator)	cfm	123.6	134	148	176.5
Operating pressure	bar	10	7	7	7
	psi	145	101.5	101.5	101.5
<b>Engine</b>					
Yanmar 4TNV88C-DCP					
Installed engine power	kW	35.0	35.0	35.0	35.0
RPM-range	rpm	1500 - 2800	1500 - 2800	1500 - 2800	1500 - 2800
<b>Operating weight<sup>2)</sup></b>					
Portable compressor	adjustable towbar braked kg	850 / 785	850 / 785	850 / 785	880 / 825
	adjustable towbar unbraked kg	765 / 730	765 / 730	765 / 730	-
	straight towbar braked kg	810 / 760	810 / 760	810 / 760	840 / 800
	straight towbar unbraked kg	750 / 710	750 / 710	750 / 710	780 / 740
Permissible gross weight	kg	1025 / 750	1025 / 750	1025 / 750	1025 / 750
<b>Filling capacities</b>					
Engine oil	l	6.5	6.5	6.5	6.5
Diesel tank	l	60	60	60	60
Compressor oil	l	9	9	9	9
<b>Dimensions and connections</b>					
Length	adjustable towbar braked mm	3565 - 3910	3565 - 3910	3565 - 3910	3565 - 3910
	straight towbar braked mm	3201	3201	3201	3201
Width	mm	1490	1490	1490	1490
Height (adjustable towbar, braked)	mm	1326	1326	1326	1326
Compressed air outlet		2 x 3/4"			
<b>Sound level</b>					
Sound pressure level <sup>3)</sup>	dB(A) LPA	69	69	69	69

<sup>1)</sup> Acc. to ISO 1217 Ed. 4 2009 Annex D <sup>2)</sup> Operating weight without options <sup>3)</sup> Noise level acc. to PNEUROP PN8NTC2.2 at 7 m



## C55-14 to C76

5.5 to 7.6 m<sup>3</sup>/min  
Product range  
DLT 0705



This new range of compressors stands out for its low diesel consumption, which is 10% less than the previous range. Equipped with a Diesel Particle Filter, these modern compressors are built to the latest emission standard Stage V. Thanks to a wide pressure range up to 14 bar, this compact compressor range is extremely versatile and meets the requirements of numerous applications. The compressors have enough storage capacity for two hammers, picks or any other pneumatic tools. Separate engine and compressor air filters guarantee a long service life. All of the service points are strategically located for easy access.

### Soft Start

Extends the engine lifetime by reducing engine stress during start-up and allowing the engine to reach running temperature with the compressor unloaded.

### Bolted Single Sheets

The steel canopy is galvanised and electrostatically coated, offering excellent protection against damage and corrosion. With bolted single sheets, exchange is both quick and easy.

### Easy Access Hinged Hood

With two robust gas struts, the hood is light and easy to open, offering excellent accessibility for easy maintenance.

### Yanmar 4TNV98CT-NCP

Quiet-running and low vibration 4-cylinder diesel engine with diesel particle filter.

### Robust Control Panel protection

Protects the electronic control panel and instrumentation.

### Fuel Filter

Fuel contamination is controlled by a high quality filter which includes water separation. In addition to this every compressor has an electronic fuel pump.

### Air Filters

Separate air filters for engine and air compressor.

### Progressive Volume Flow Regulation

Engine speed and air intake regulation are automatically adapted to compressed air requirement.

### Air End With Spin-On Oil Filter Cartridge

For quick and easy maintenance.

### Internal Main Switch Board

To avoid unauthorised operation.

### Central Lifting Eye

For easy handling by crane.

### Transparent Plastic Fuel Tank

Allows direct visual level indication and quick contamination checks, includes drain port.

### Operational Reliability

Designed for -10 to +45°C ambient temperature.

### Oil Temperature Regulation Valve

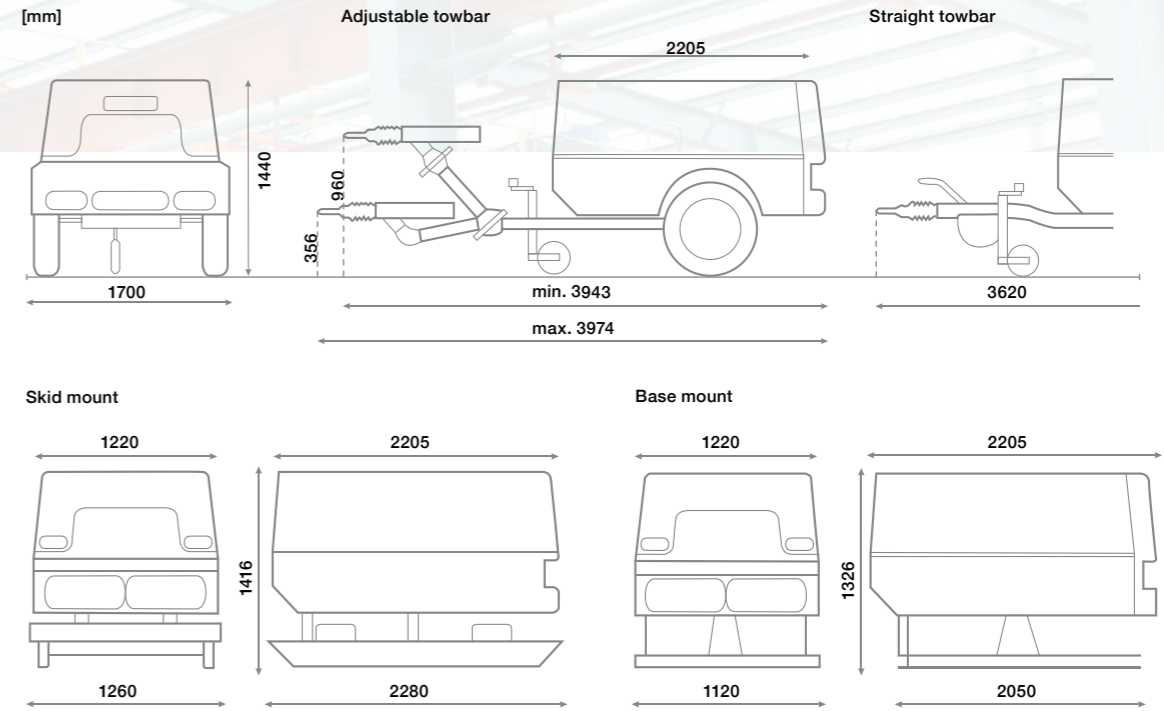
Ensures safe operation of compressor at low ambient temperatures or extreme partial load as standard.

### Optional Filtration

According to ZTV-ING part 3 section 4.



## Technical Data - C55-14 to C76



Product range		DLT 0705				
Type		C55-14	C60-12	C65-10	C65HS	C76
<b>Operational data</b>						
Volume flow <sup>1)</sup>	m <sup>3</sup> /min	5.5	6.0	6.5	6.5	7.6
(Optional 9 or 15 kVA Generator)	cfm	194	211.9	229.5	229.5	268
Operating pressure	bar	14	12	10	7	7
	psi	203	174	145	101.5	101.5
<b>Engine</b>		Yanmar 4TNV98CT-NCP				
Installed engine power	kW	53.7	53.7	53.7	53.7	53.7
RPM range	rpm	1500 - 2500	1500 - 2500	1500 - 2500	1500 - 2500	1500 - 2500
<b>Operating weight<sup>2)</sup></b>						
Portable compressor	adjustable towbar braked kg	1240	1240	1240	1240	1240
	straight towbar braked kg	1200	1200	1200	1200	1200
Permissible gross weight	kg	1350	1350	1350	1350	1350
<b>Filling capacities</b>						
Engine oil	l	8	8	8	8	8
Diesel tank	l	140	140	140	140	140
Compressor oil	l	17.5	17.5	17.5	17.5	17.5
<b>Dimensions and connections</b>						
Length	adjustable towbar braked mm	3943 - 3974	3943 - 3974	3943 - 3974	3943 - 3974	3943 - 3974
	straight towbar braked mm	3620	3620	3620	3620	3620
Width	mm	1700	1700	1700	1700	1700
Height	mm	1440	1440	1440	1440	1440
Compressed air outlet		3 x 3/4", option to add an extra 1 x 1/2" outlet				
<b>Sound level</b>						
Sound pressure level <sup>3)</sup>	dB(A) LPA	69	69	69	69	69

<sup>1)</sup> Acc. to ISO 1217 Ed. 4 2009 Annex D <sup>2)</sup> Operating weight without options <sup>3)</sup> Noise level acc. to PNEUROP PN8NTC2.2 at 7 m

## Portable-Control 2+

- **Fully protected digital display**  
With tamper proof hour counter
- **Indication lamps**
  - Preheat
  - Operation
  - Automatic emergency stop after malfunction

- **Automatic protection in case of malfunction:**
  - Compressor temperature too high
  - Engine oil pressure too low
  - Engine temperature too high
  - Battery voltage too low
  - Rotational speed too low
  - Cooling water too low
  - Fuel level too low



## C85-14 to C140-9

8.6 to 13.3 m³/min  
Product range  
DLT 1304



Designed for the toughest site conditions, whether it's for road building, civil engineering or restoration work, this range of compressors offers outstanding reliability, performance and compressed air quality. With fully accessible doors, maintenance is also made easy. The compressor as standard is equipped with numerous options, offering a substantial cost saving to the customer. Thanks to the inclusion of two batteries, reliable running and performance can be achieved even in cold conditions. The long life cycle of these compressors is further enhanced by additional engine management protection. Energy efficient Deutz TCD4.1 L4 Diesel engines are fitted with electronic fuel injection to meet the European exhaust emission standards.

### Soft Start

Extends the engine lifetime by reducing engine stress during start-up and allowing the engine to reach running temperature with the compressor unloaded.

### Easy Access Side Wing Doors

Offering excellent accessibility for easy maintenance.

### Air Filters

Separate air filters for engine and air compressor.

### Reliable, Robust and Diesel-saving

#### DEUTZ TCD4.1 L4 Series Engine

- Fulfills stage IV and stage V of the EU emission standard.
- Diesel Particle Filter (DPF) as standard.

### Robust Control Panel protection

Protects the electronic control panel and instrumentation.

### Portable-Control 3

- **Digital display**  
All the necessary operation data at a glance
- **Quick and easy pressure setting**
- **Fault memory with detailed operating data**
- **Automatic protection in case of malfunction:**
  - Engine oil pressure too low
  - Cooling water temperature too high

### Flexible Power Management (FPM)

This function, which is available as standard, allows the user to easily scroll through the minimum and maximum pressure settings matching the pressure and output to the task. Therefore this compressor is suitable for various different applications.

### Fuel Filter

Fuel contamination is controlled by a high quality filter which includes water separation. In addition to this every compressor has a manual fuel pump as standard.

### 24 V Electric System

Ensures sufficient power reserves in case of cold starts and a safe run-up ability.

### Progressive Volume Flow Regulation

Engine speed and air intake regulation are automatically adapted to compressed air requirement.

### Air End With Spin-On Oil Filter Cartridge

For quick and easy maintenance.

### Internal Main Switch Board

To avoid unauthorised operation.

### Central Lifting Eye

For easy handling by crane.

### Plastic Fuel Tank

With direct visual level indication.

### Operational Reliability

Designed for -10 to +45°C ambient temperature.

### Oil Temperature Regulation Valve

Ensures safe operation of compressor at low ambient temperatures or extreme partial load.

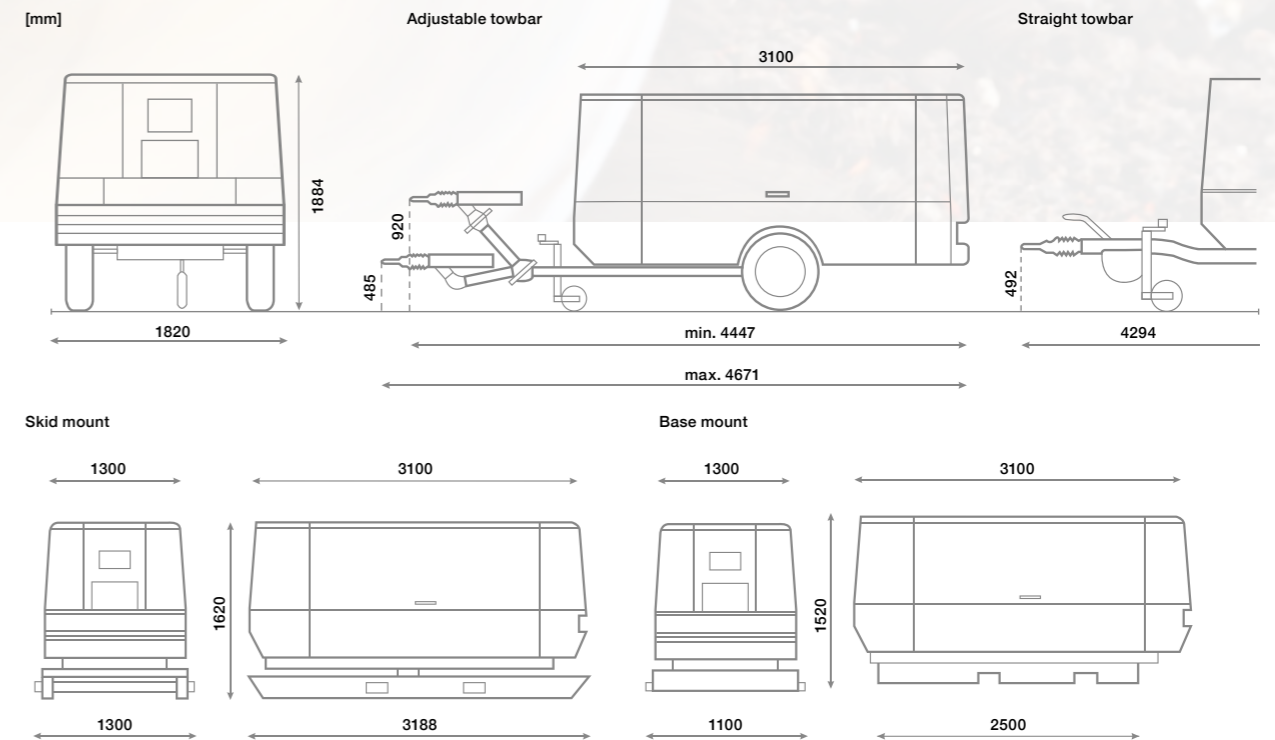
### Optional Filtration

According to ZTV-ING part 3 section 4.



- Intercooler temperature too high
- Airend temperature too high
- Engine Cooling water level too low
- Fuel level too low
- Water in fuel pre filter
- Load control (v-belt break, alternator defect)
- Hardware errors

## Technical Data - C85-14 to C140-9



Product range	DLT 1304								
	C85-14	C95-12	C100-10	C110-9	C105-14	C115-12	C130-10	C140-9	
<b>Type</b>									
<b>Operational data</b>									
Volume flow <sup>1)</sup>	m³/min	8.6	9.4	10.0	10.8	10.5	11.5	12.5	13.3
	cfm	304	332	353	381	371	406	441	470
Operating pressure range	bar	5 - 14	5 - 12	5 - 10	5 - 8.6	5 - 14	5 - 12	5 - 10	5 - 8.6
	psi	73 - 203	73 - 174	73 - 145	73 - 125	73 - 203	73 - 174	73 - 145	73 - 125
<b>Engine</b>		Deutz TCD 4.1 L4							
Installed engine power	kW	90	90	90	90	105	105	105	105
RPM-range	rpm	1300 - 1850	1300 - 2000	1300 - 2100	1300 - 2300	1300 - 1750	1300 - 1900	1300 - 2050	1300 - 2200
<b>Operating weight <sup>2)</sup></b>									
<b>Portable compressor</b>									
	adjustable towbar braked kg	2075	2075	2075	2075	2160	2160	2160	2160
	straight towbar braked kg	2000	2000	2000	2000	2085	2085	2085	2085
<b>Permissible gross weight</b>	kg	2500	2500	2500	2500	2500	2500	2500	2500
<b>Filling capacities</b>									
Engine oil	l	11.5	11.5	11.5	11.5	11.5	11.5	11.5	11.5
Diesel tank	l	175	175	175	175	175	175	175	175
Adblue tank capacity	l	20	20	20	20	20	20	20	20
Compressor oil	l	20	20	20	20	25.5	25.5	25.5	25.5
<b>Dimensions and connections</b>									
Length	adjustable towbar braked mm	4447 - 4671	4447 - 4671	4447 - 4671	4447 - 4671	4447 - 4659	4447 - 4659	4447 - 4659	4447 - 4659
	straight towbar braked mm	4294	4294	4294	4294	4294	4294	4294	4294
Width	mm	1820	1820	1820	1820	1820	1820	1820	1820
Height	mm	1884	1884	1884	1884	1884	1884	1884	1884
Compressed air outlet		2 x 3/4" and 1 x 2"							
<b>Sound level</b>									
Sound pressure level <sup>3)</sup>	dB(A) LPA	70	70	70	70	70	70	70	70

<sup>1)</sup> Acc. to ISO 1217 Ed. 4 2009 Annex D <sup>2)</sup> Operating weight without options <sup>3)</sup> Noise level acc. to PNEUROP PN8NTC2.2 at 7 m

## C200TS-24 to C270TS-9

20 to 27.0 m<sup>3</sup>/min  
Product range  
DLT 2703



The TurboScrew compressors with their unique patented bi-turbo technology provide class-leading diesel efficiency, the lowest weight of 3,500kg and super-clean performance in accordance with directive 97/68/EC Stage V. The new range has been equipped with an award winning SCRT® – Selective Catalytic Reduction Technology system which is capable of removing almost all nitrogen oxide emissions from diesel exhaust gases.

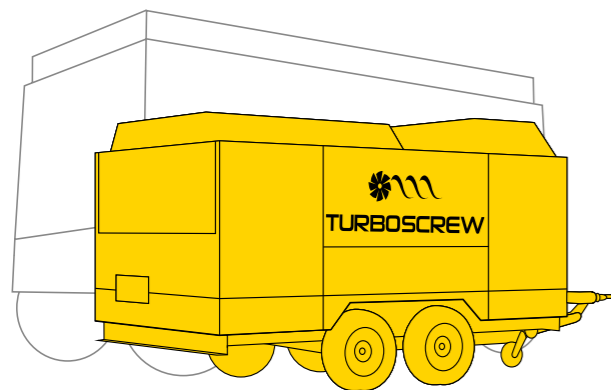


### TURBOSCREW

**TurboScrew Technology**  
CompAir's TurboScrew compression system is an innovative approach to energy conservation. It uses a Cummins turbo assisted engine powering a CompAir screw compressor unit with the addition of an engine exhaust gas drive turbine, pre-compressing the suction inlet air before it enters the compression chamber.

### Small footprint & one of the lightest in class

The lightweight TurboScrew compressors can be towed by a vehicle with a maximum towing weight of 3,500kg and is great for getting to hard-to-access sites.



### Soft Start

Extends the engine lifetime by reducing engine stress during start-up and allowing the engine to reach running temperature with the compressor unloaded.

### Easy Access Side Wing Doors

Offering excellent accessibility for easy maintenance.

### SCRT® System

Simultaneous reduction of soot particles and nitrogen oxides.

### Cummins QSB 6.7

Robust 6-cylinder turbo-charged diesel engine with an additionally integrated second turbo-charger for the pre-compression of the inlet air of the compressor.

### 24 V Electric System

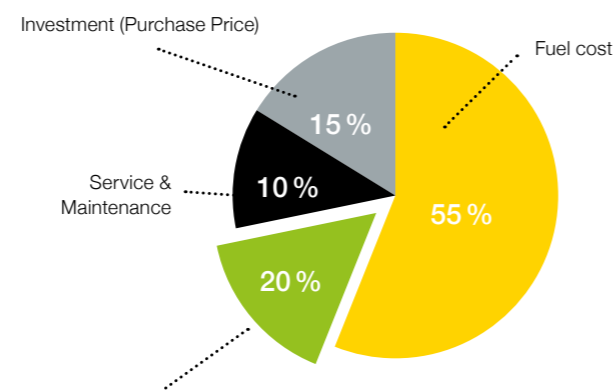
Ensures sufficient power reserves in case of cold starts and a safe run-up ability.

### Bolted Single Sheets

The steel canopy is galvanised and electrostatically coated, offering excellent protection against damage and corrosion. With bolted single sheets, exchange is both quick and easy.

### Potential fuel savings

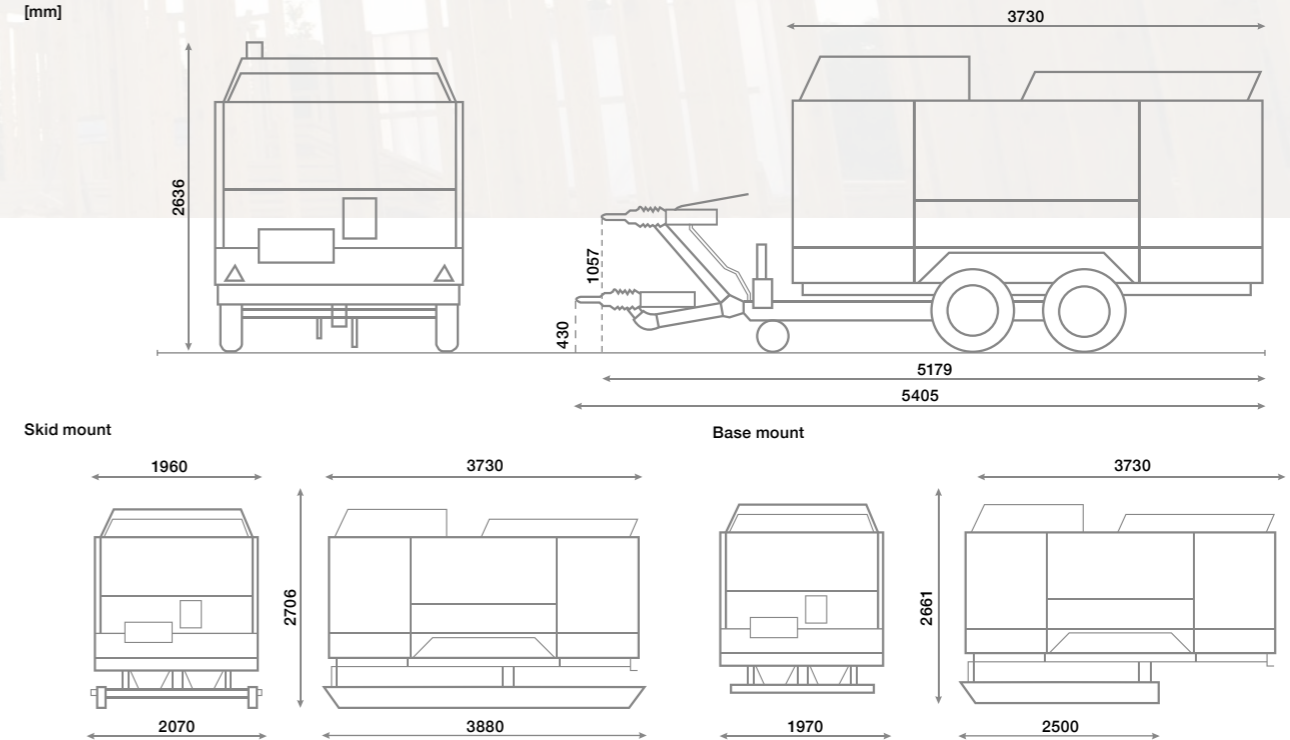
Based on average site running conditions, over lifetime of 10,000 hours, fuel savings of up to 30% can be achieved when compared with equivalent conventional compressors of this output range. This represents up to 20% of total lifetime costs.



**TurboScrew fuel savings = 20% of lifetime cost**

## Technical Data - C200TS-24 to C270TS-9

[mm]



Product range	DLT 2703									DLT 2703 HP		
	C200TS-14	C210TS-12	C220TS-10	C230TS-9	C240TS-14	C250TS-12	C260TS-10	C270TS-9	C200TS-24	C210TS-21	C230TS-17	
<b>Type</b>												
<b>Operational data</b>												
Volume flow <sup>1)</sup>	m <sup>3</sup> /min	20	21	22	23	24	25	26	27	20	21	23
	cfm	706	741.6	776.9	812	847.5	882.8	918	953	706	741.6	812
Operating pressure	bar	6 - 14	6 - 12	6 - 10	6 - 8.6	6 - 14	6 - 12	6 - 10	6 - 8.6	14 - 24	14 - 21	14 - 17
	psi	203	174	145	130.5	203	174	145	130.5	348	304.5	246.5
<b>Engine</b>	Cummins QSB 6.7									Cummins QSB 6.7		
Installed engine power	kW	180	180	180	180	224	224	224	224	224	224	224
Engine off load speed	rpm	1200	1200	1200	1200	1200	1200	1200	1200	1200	1200	1200
Engine full load speed	rpm	2400	2400	2400	2400	2400	2400	2400	2400	2400	2400	2400
<b>Operating weight <sup>2)</sup></b>												
<b>Portable compressor adjustable towbar braked kg</b>	kg	3300	3300	3300	3300	3340	3340	3340	3340	3340	3340	3340
<b>Permissible gross weight</b>	kg	3500	3500	3500	3500	3500	3500	3500	3500	3500	3500	3500
<b>Filling capacities</b>												
Engine oil	l	17	17	17	17	17	17	17	17	17	17	17
Diesel tank	l	350	350	350	350	350	350	350	350	350	350	350
Adblue tank capacity	l	38	38	38	38	38	38	38	38	38	38	38
Compressor oil	l	65	65	65	65	70	70	70	70	55	55	55
<b>Dimensions and connections</b>												
Length	mm	5179-5405	5179-5405	5179-5405	5179-5405	5179-5405	5179-5405	5179-5405	5179-5405	5179-5405	5179-5405	5179-5405
Width	mm	1960	1960	1960	1960	1960	1960	1960	1960	1960	1960	1960
Height	mm	2636	2636	2636	2636	2636	2636	2636	2636	2636	2636	2636
Compressed air outlet		3 x 3/4" and 1 x 2"									1 x 2"	
<b>Sound level</b>												
Sound pressure level <sup>3)</sup>	dB(A) LPA	71	71	71	71	71	71	71	71	71	71	71

<sup>1)</sup> Acc. to ISO 1217 Ed. 4 2009 Annex D <sup>2)</sup> Operating weight without options <sup>3)</sup> Noise level acc. to PNEUROP PN8NTC2.2 at 7 m



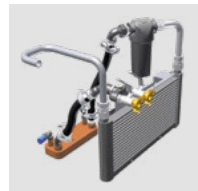
## Compressed Air Tools

To complement our portable compressors, we offer a range of modern compressed air tools, which include various hammers, breakers, rockdrills and moles.



For further information please request our Compressed Air Tools brochure.

## AirPlus - Many Options for many Applications



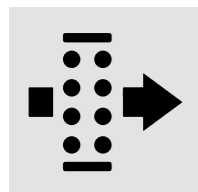
### Built-in aftercooler

With automatic water separation. Reduces water content in the compressed air. An additional heat exchanger uses compressor oil to heat the compressed air which protects the tools from freezing.



### Integrated Oiler

For optimised lubrication of the pneumatic tools.



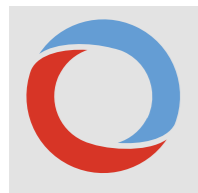
### Built-in microfilter combination

(in addition to above mentioned aftercooler) Air treatment with microfilters according to ISO 8573.1 standards including ZTV-ING 90 with residual oil content of <0.01 ppm.



### Hose reel

With 20m light self-supporting hose; protects the air hose and enables fast set up of tools at site.



### Oil temperature regulation valve

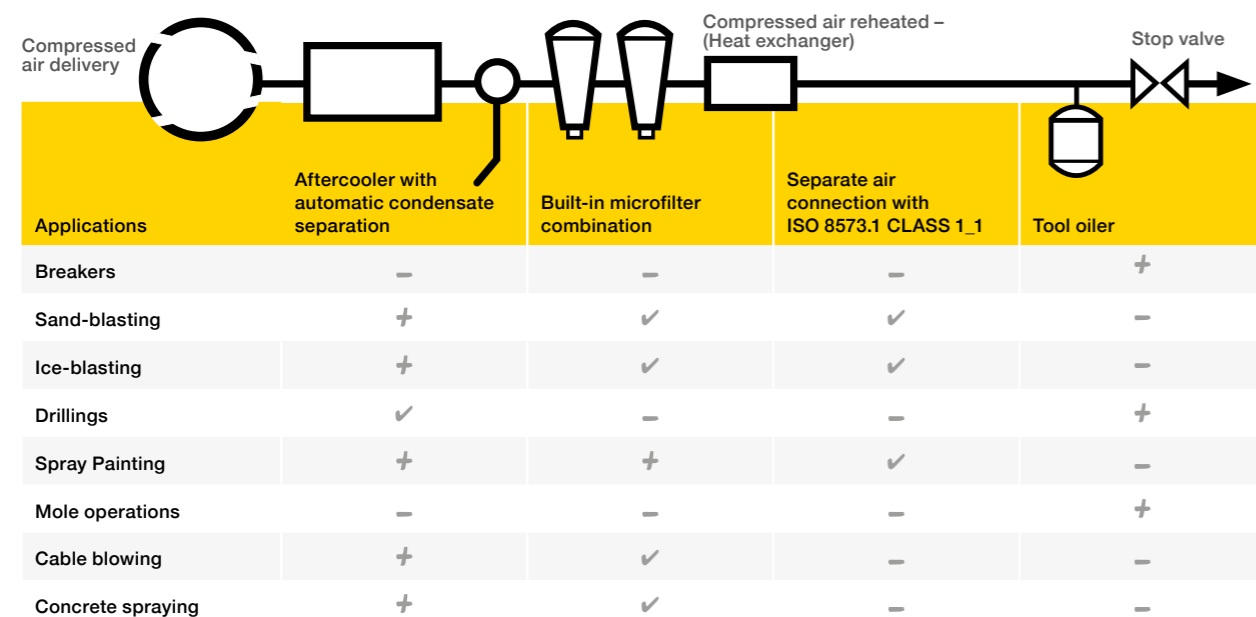
Ensures safe operation of compressor at low ambient temperatures. Prevents compressed air tools from freezing. Standard from C35-10.



### Special paint colour and labelling to customer specification

Provides distinctive site identity and assists in traceability in the event of loss or theft.

## Schematic display of all available air treatment options



+ recommended ✓ depending on manufacturer and application - not needed

## AirPlus - Many Options for many Applications

+ Optional ✓ Standard - Not available

Type	Compressed Air Quality			Compressor Equipment							Integrated Generator			Engine Accessories		
	Aftercooler	Filtration	Oiler	Tool-Box	Hose reel	Bundled bottom box	Oil thermostatic valve	Remote start / stop	Diesel Particle Filter Factory Fitted	Diesel Particle Filter Retrofit Kit	7 kVA at 110V 50Hz	9 kVA/16 A max. at 230/400V 50Hz	15 kVA/20 A max. at 230/400V 50Hz	Diesel filter with water separator	Spark arrester	Chalwyn Valve
<b>DLT 0101</b>																
C10-12	+	-	+	-	-	-	-	-	-	-	-	-	-	-	-	-
C12-10	+	-	+	-	-	-	-	-	-	-	-	-	-	-	-	-
C14	+	-	+	-	-	-	-	-	-	-	-	-	-	-	-	-
<b>DLT 0207</b>																
C20	+	-	+	+	+	✓	✓	-	+	+	+	+	-	✓	+	+
C20-12	+	-	+	+	+	✓	✓	-	+	+	+	+	-	✓	+	+
C25	+	-	+	+	+	✓	✓	-	+	+	+	+	-	✓	+	+
C25-10	+	-	+	+	+	✓	✓	-	+	+	+	+	-	✓	+	+
C30	+	-	+	+	+	✓	✓	-	+	+	+	+	-	✓	+	+
<b>DLT 0409</b>																
C35-10	+	+	+	+	+	+	✓	-	✓	-	+	+	+	✓	+	+
C38	+	+	+	+	+	+	✓	-	✓	-	+	+	+	✓	+	+
C42	+	+	+	+	+	+	✓	-	✓	-	+	+	+	✓	+	+
C50	+	+	+	+	+	+	✓	-	✓	-	+	+	+	✓	+	+
<b>DLT 0705</b>																
C55-14	+	+	+	✓	+	+	✓	+	✓	-	+	+	+	✓	+	+
C60-12	+	+	+	✓	+	+	✓	+	✓	-	+	+	+	✓	+	+
C65-10	+	+	+	✓	+	+	✓	+	✓	-	+	+	+	✓	+	+
C76	+	+	+	✓	+	+	✓	+	✓	-	+	+	+	✓	+	+
<b>DLT 1304</b>																
C85-14	+	+	+	-	-	-	✓	+	✓	-	+	+	+	✓	-	+
C95-12	+	+	+	-	-	-	✓	+	✓	-	+	+	+	✓	-	+
C100-10	+	+	+	-	-	-	✓	+	✓	-	+	+	+	✓	-	+
C110-9	+	+	+	-	-	-	✓	+	✓	-	+	+	+	✓	-	+
C105-14	+	+	+	-	-	-	✓	+	✓	-	+	+	+	✓	-	+
C115-12	+	+	+	-	-	-	✓	+	✓	-	+	+	+	✓	-	+
C130-10	+	+	+	-	-	-	✓	+	✓	-	+	+	+	✓	-	+
C140-9	+	+	+	-	-	-	✓	+	✓	-	+	+	+	✓	-	+
<b>DLT 2703</b>																
C200TS-14	+	+	-	-	-	-	✓	+	✓	-	-	-	-	✓	+	+
C210TS-12	+	+	-	-	-	-	✓	+	✓	-	-	-	-	✓	+	+
C220TS-10	+	+	-	-	-	-	✓	+	✓	-	-	-	-	✓	+	+
C230TS-9	+	+	-	-	-	-	✓	+	✓	-	-	-	-	✓	+	+
C240TS-14	+	+	-	-	-	-	✓	+	✓	-	-	-	-	✓	+	+
C250TS-12	+	+	-	-	-	-	✓	+	✓	-	-	-	-	✓	+	+
C260TS-10	+	+	-	-	-	-	✓	+	✓	-	-	-	-	✓	+	+
C270TS-9	+	+	-	-	-	-	✓	+	✓	-	-	-	-	✓	+	+
C200TS-24	-	-	-	-	-	-	✓	+	✓	-	-	-	-	✓	+	+
C210TS-21	-	-	-	-	-	-	✓	+	✓	-	-	-	-	✓	+	+
C230TS-17	-	-	-	-	-	-	✓	+	✓	-	-	-	-	✓	+	+

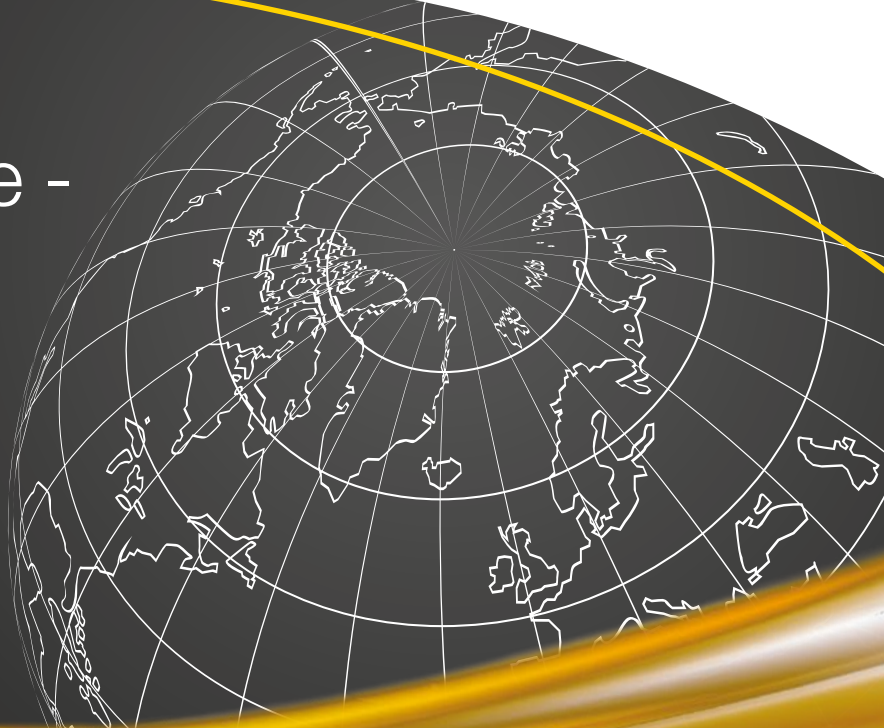
- **Integrated Generator**
  - Electronically controlled synchronous generator
  - Protection IP 54

- **Cold Start Kit**
  - Available for selected models





# Global experience - truly local service



With over 200 years of engineering excellence, the CompAir brand offers an extensive range of highly reliable, energy efficient compressors and accessories to suit all applications. An extensive network of dedicated CompAir sales companies and distributors across all continents provide global expertise with a truly local service, ensuring our advanced technology is backed up with the right support.



## Portable Compressors (EU & Non EU Range)

C10-12 - C270TS-9  
1 to 27 m<sup>3</sup>/min from 7 to 24 bar

## Air Plus offers many variations and options:

- Aftercooler
- Ultra-fine filters
- Integrated generator
- Bunded bottom box
- Hose reel
- Chalwyn Valve
- Exhaust spark arrestor
- Exhaust gas particulate filter
- Customer colours

## Tools

- Chipping Hammers
- Rockdrills
- Pickhammers
- Breakers

## Vibration damped tools:

- Rockdrills
- Pickhammers
- Breakers

## Accessories:

- Large selection of pointed chisel, slat chisel and spade
- In line lubricator
- Water separator with or without oiler
- Air hoses

## Services

- Technical support and advice
- Worldwide service network
- Reliable supply of spare parts
- Individual customer solutions
- Seminars and trainings

 **van Elewout  
Kompressoren**

Dobbeweg 3B  
2254 AG Voorschoten

www.elewout.nl  
+31(0)71-561 84 68

[www.compair.com](http://www.compair.com) · [sales@compair.com](mailto:sales@compair.com)